

**Actual Size:** 72" x 32" x 21" • (182.88cm x 81.28cm x 53.34cm)

**Shipping Size:** 83" x 36" x 31" • (210.82cm x 91.44cm x 78.74cm)

**Net Weight:** 205lbs • (92.99Kg)

**Shipping Weight:** 225lbs • (102.05Kg)

**Floor Dimensions:** 54" x 22" • (137.16cm x 55.88cm)

**Unoccupied Water Capacity:** 85gal • (321.76L)

**Occupied Water Capacity:** 35-55gal • (132.49 - 208.2L)

## Included Features (Soaking)

1. Acrylic Tub Shell
  - Gloss white finish
  - Fiberglass gelcoat reinforced
2. Stainless steel frame with adjustable leveling Legs.
3. Unique tempered glass inward swing door with a brushed finish aluminum frame.
4. 2" Brass Drain with overflow.
5. One end panel

## Jetting & Therapy Options

1. Air Massage
2. Hydro Massage
3. Microbubble Therapy
4. Soaking Option (No Jets)



Air Massage Package Option Shown

## Jetting & Therapy Systems

### Air Massage

- Air Massage Pump 3.6A
- 3 Speed Pump
- Auto-purge (Activates 20 minutes after pump shutdown)
- 24 jets
- On/Off push control

### Hydro Massage

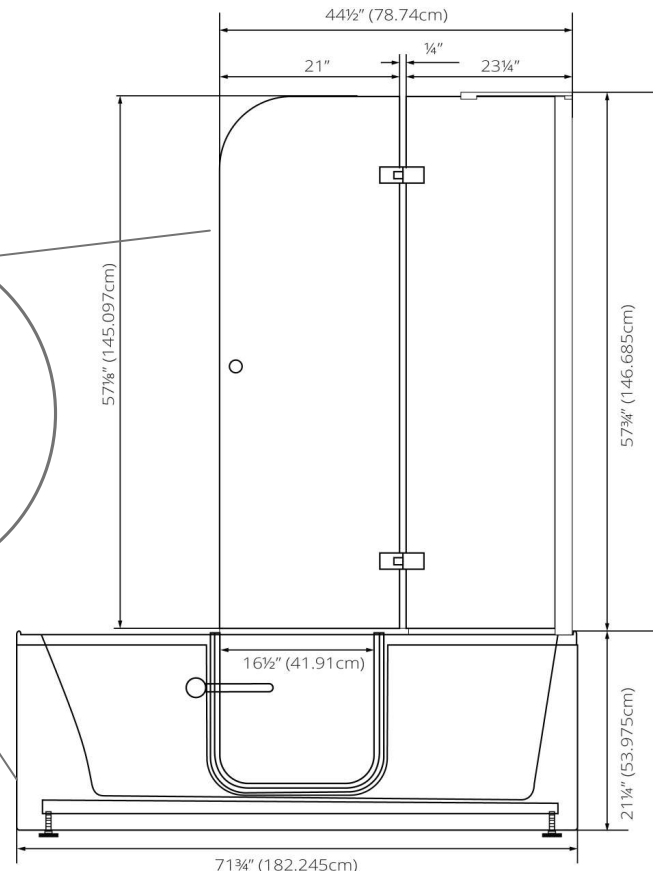
- Hydro Massage Pump 5A
- Hydro Massage Intensity Dial Control
- In-line Water Heater 5.5A
- Ozone Sterilization
- 11 jets
- On/Off Push Control

### Microbubble Therapy

- Hydro Pressure Pump
- Pressure Tank
- On/Off push control

### Optional Feature

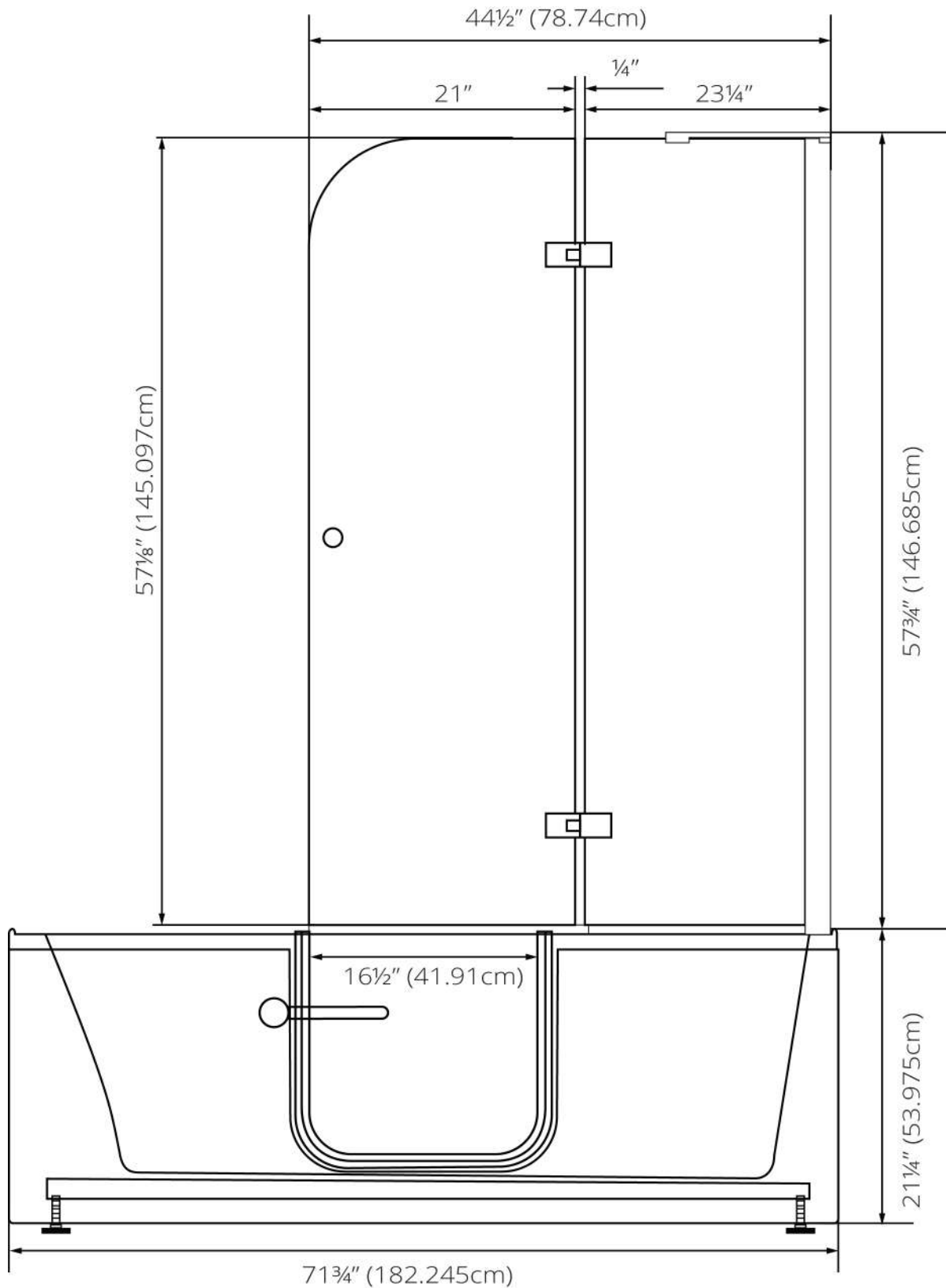
- Glass Shower Screen
- Size 44 1/2" x 57 3/4"

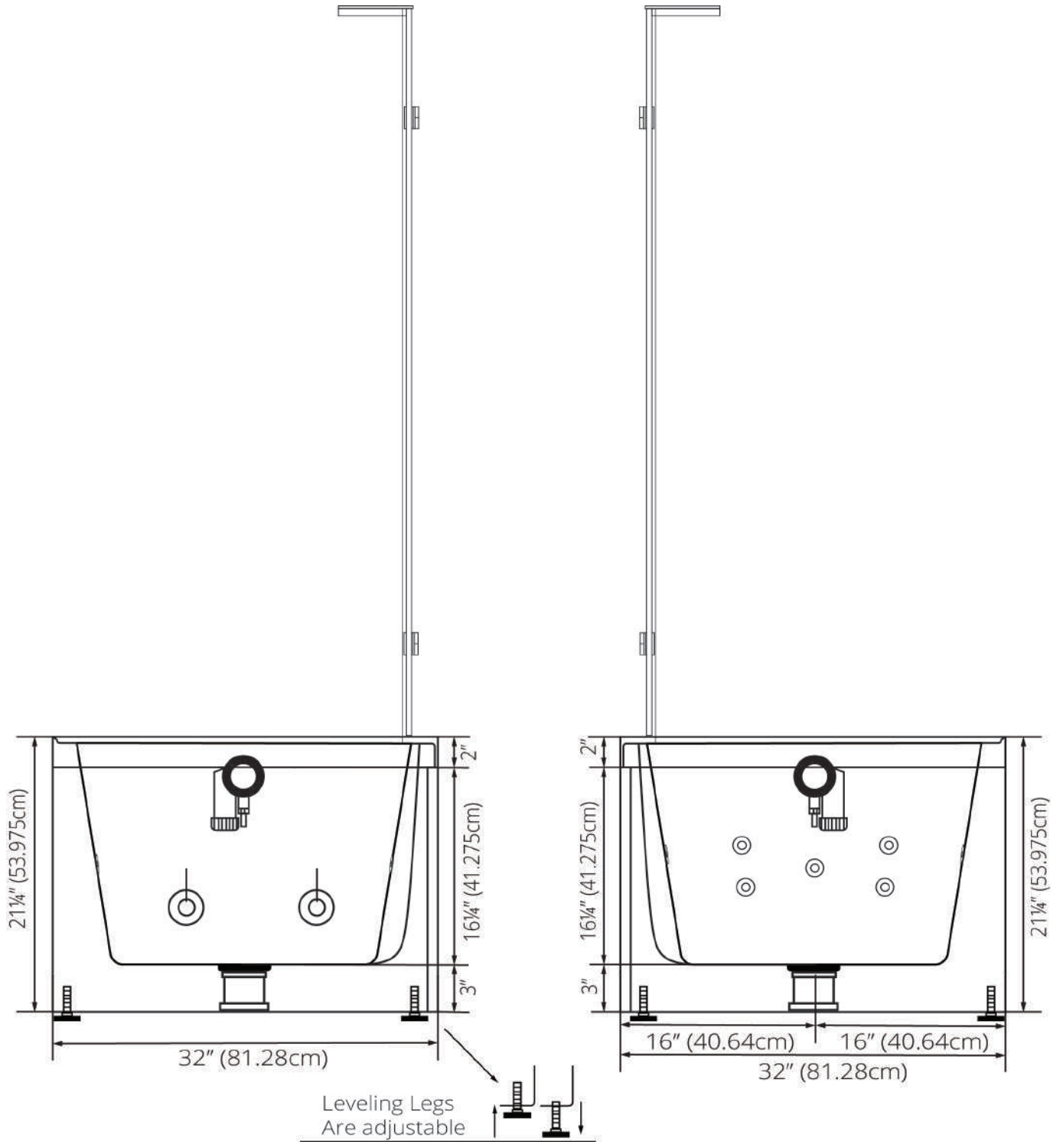


### Warranty

- Lifetime limited\* warranty on shell, frame, door, and parts to original purchaser/Address
- Non Ella brand faucets covered under manufacturers original warranty







Two 3/4" connector water supply lines included with Ella Fast Fill Faucets  
Connect to Shut Off Valves (not included)



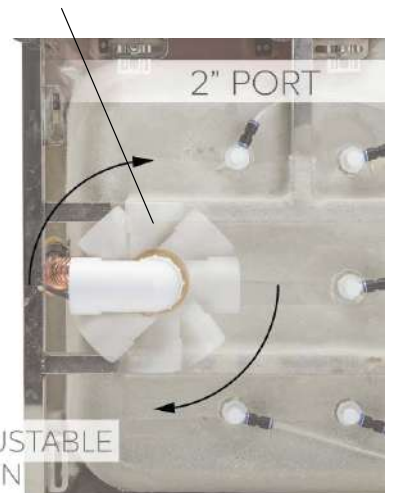
All electrical fixtures connect to a dedicated GFCI protected outlet or GFCI protected Circuit Breaker.



Images below show examples of PVC L-Shaped Drain Positions

2" Drain Ports

360 Drain Adjustment





**Description**

Solid brass spout in a chrome finish with a 5-setting pull out hand shower mixer with back-flow prevention valve this includes a 5' braided hose.

Two 3/4" 5' braided stainless-steel supply lines are included along with Cold/Hot levers with a diverter for the hand mixer.

**Flow**

- Hand shower is limited to 1.9 GPM (7.5L/min)
- Faucet fill rate designed for 18 GPM (68.1L/min)

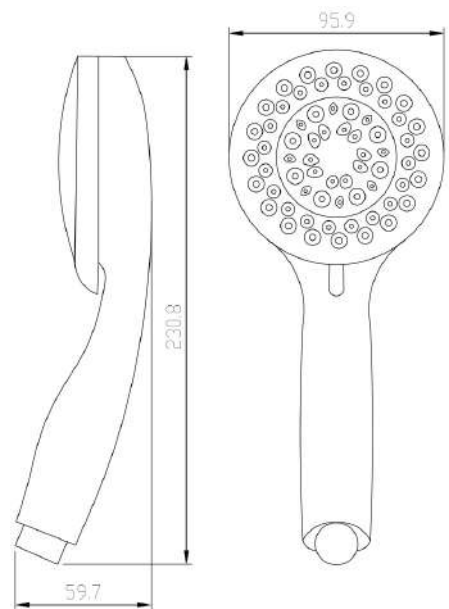
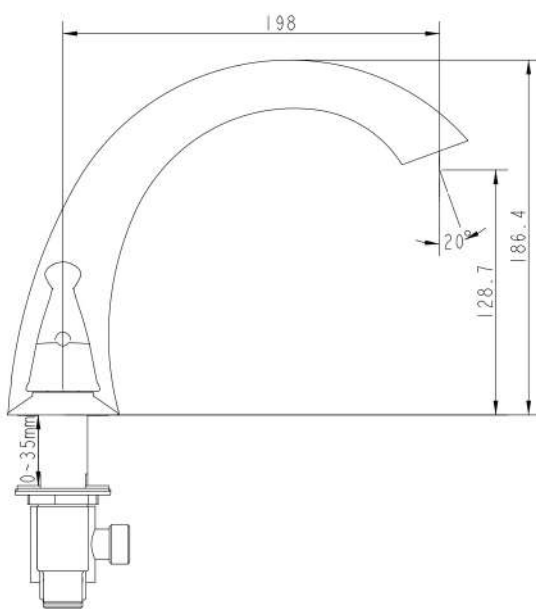
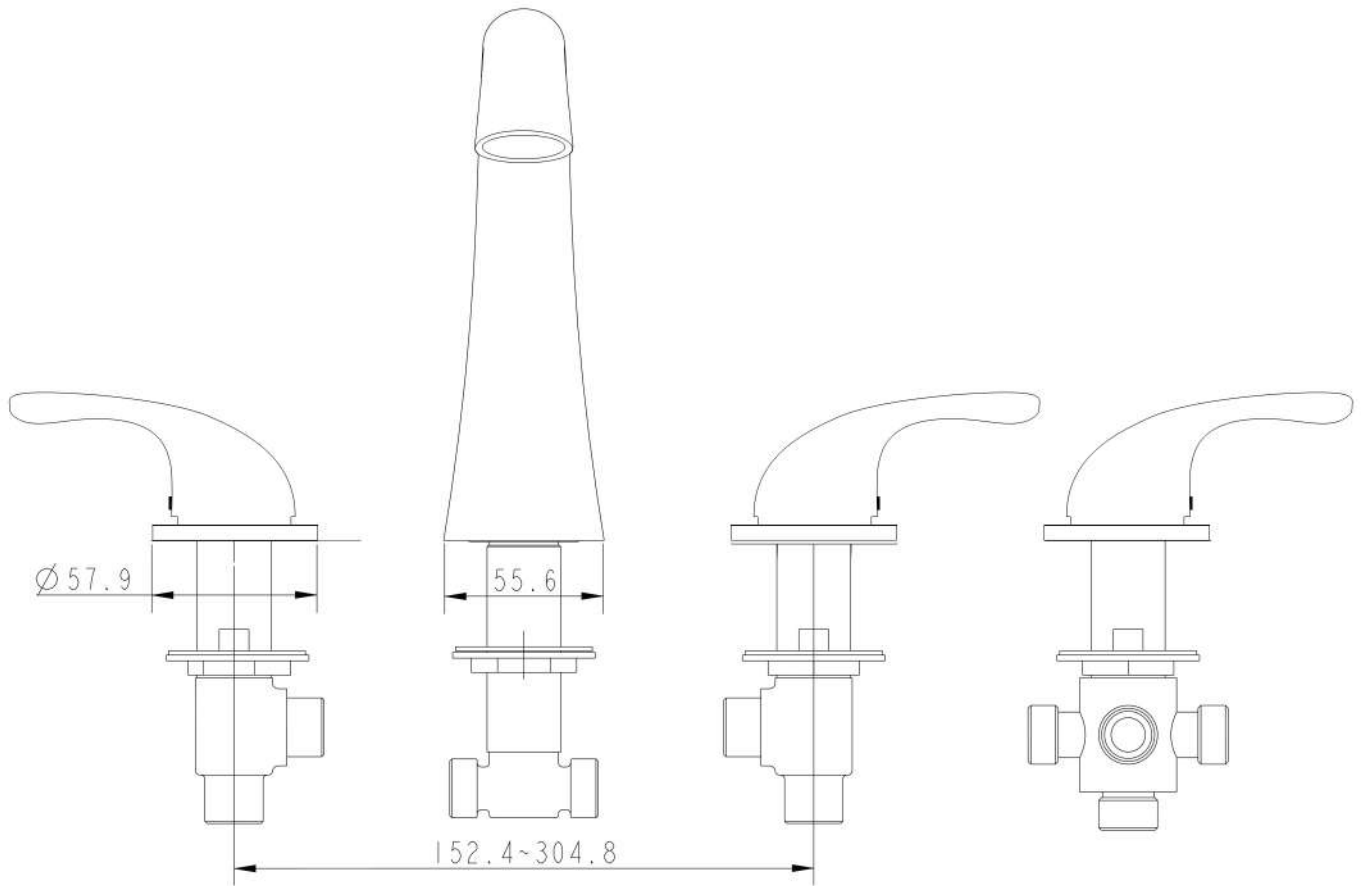
**Cartridge**

- 40mm high flow cartridge design
- Nonmetallic/nonferrous and stainless-steel material

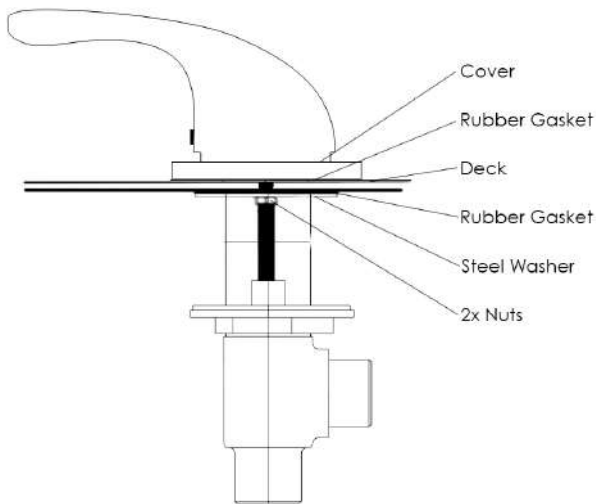


## Ella 5 Piece Fast-Fill Faucet Contents

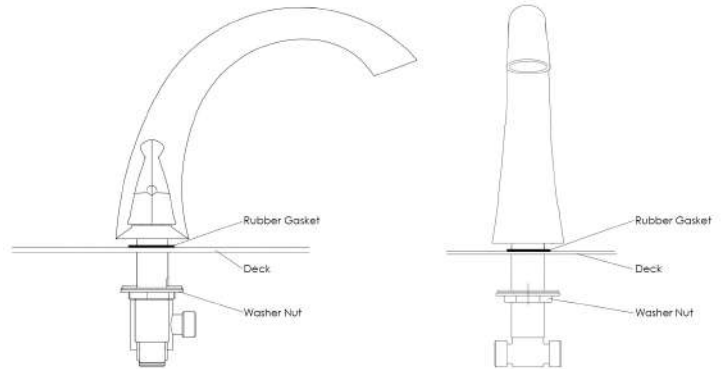




Step-by-step Instructions to install an Ella 5-piece faucet.



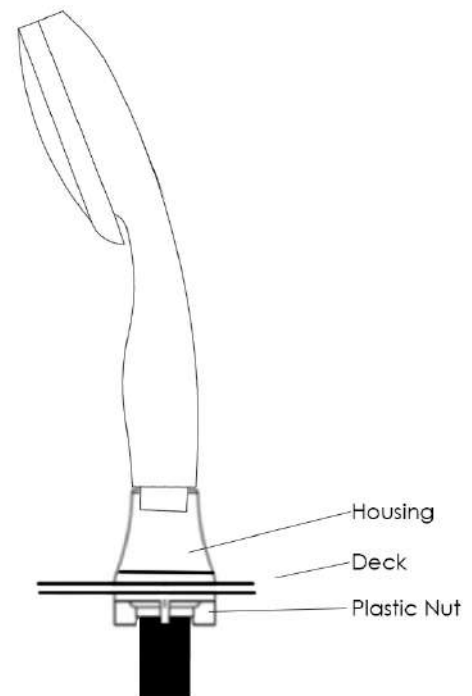
**1.** Unscrew the 2 nuts securing the steel washer and rubber gasket. In this order, remove the steel washer and rubber gasket, place your lever on the deck, replace the rubber gasket and the steel washer. Firmly secure the 2 nuts to hold the fixture in place.



**2.** Unscrew the washer nut and place the rubber gasket and spout above the deck. After, secure the washer nut from underneath the deck.

**3.** Remove the plastic nut and insert your hand mixer and hose into your deck opening. Re-secure the plastic nut underneath the deck to hold the hand mixer and housing firmly in place.

**4.** Connect the supply lines provided with your Ella 2-Piece Fast Fill Faucet to their respective hot and cold connections.





# Ella 2 Piece Single Lever Fast-Fill Faucet

**Description**

Solid brass spout in a chrome finish with a 5-setting pull out hand shower mixer with back-flow prevention valve this includes a 5' braided hose. Two 3/4" 5' braided stainless-steel supply lines are included along with Cold/Hot levers with a diverter for the hand mixer

**Flow**

- Hand shower is limited to 1.9 GPM (7.5L/min)
- Faucet fill rate designed for 16 GPM (68.1L/min)

**Cartridge**

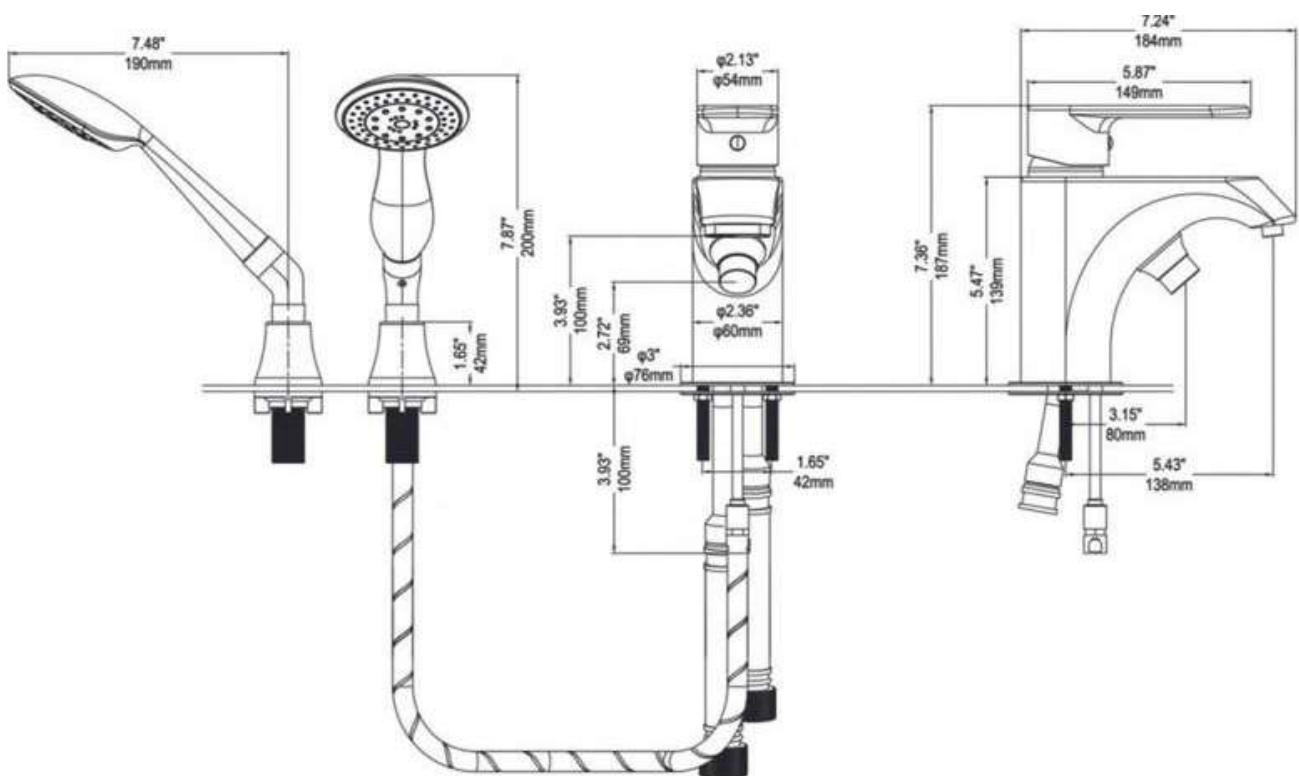
- 40mm high flow cartridge design
- Nonmetallic/nonferrous and stainless-steel material

**Standards**

- Third party certified to meet: CSA B125.1, ASMEA112.18.1, ICC117.1 and all applicable requirements referenced therein
- Certified to ANSI/NSF 61/9
- ADA for lever/handle
- IAPMO R&T UPC certified

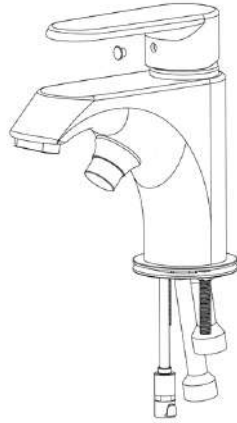


NOTE: This faucet is designed to be installed through 2-1/2" diameter hole for faucet, 1/3" diameter hole for mounting rods, and a 7/8" diagonal hole for the hand shower.



Step-by-step Instructions to replace a valve cartridge for Ella 2-piece faucets.

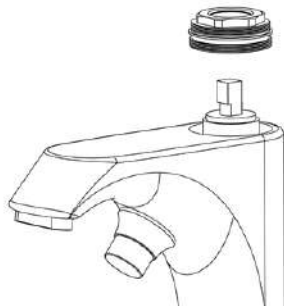
Step.1 Remove the Hot/Cold screw hole cover.



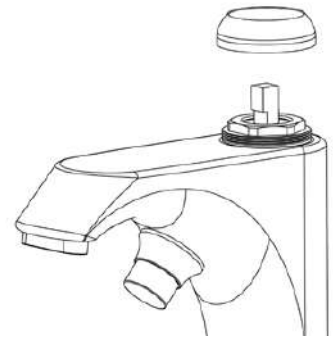
Step.2 Use an Allen wrench to remove the handle Screw.



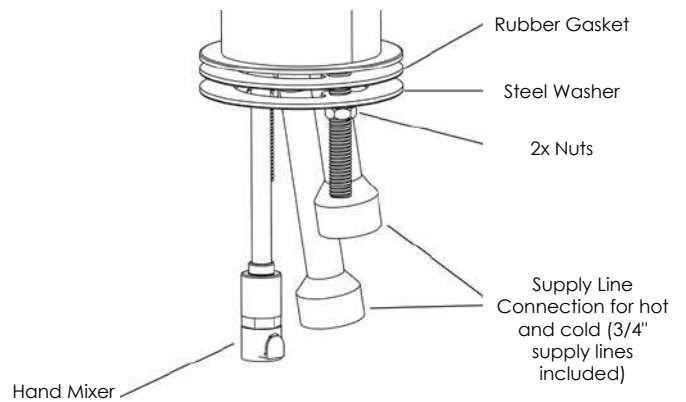
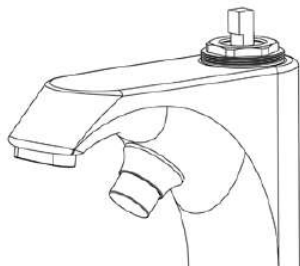
Step.3 Take out the handle and remove the brass escutcheon



Step.4 Use a wrench to unscrew the pressure cap.



Step.5 Remove the cartridge and replace it with new piece.



Glass shower screen needs to align with glass door below to prevent leaks



The gasket needs to point inward towards the tub

